

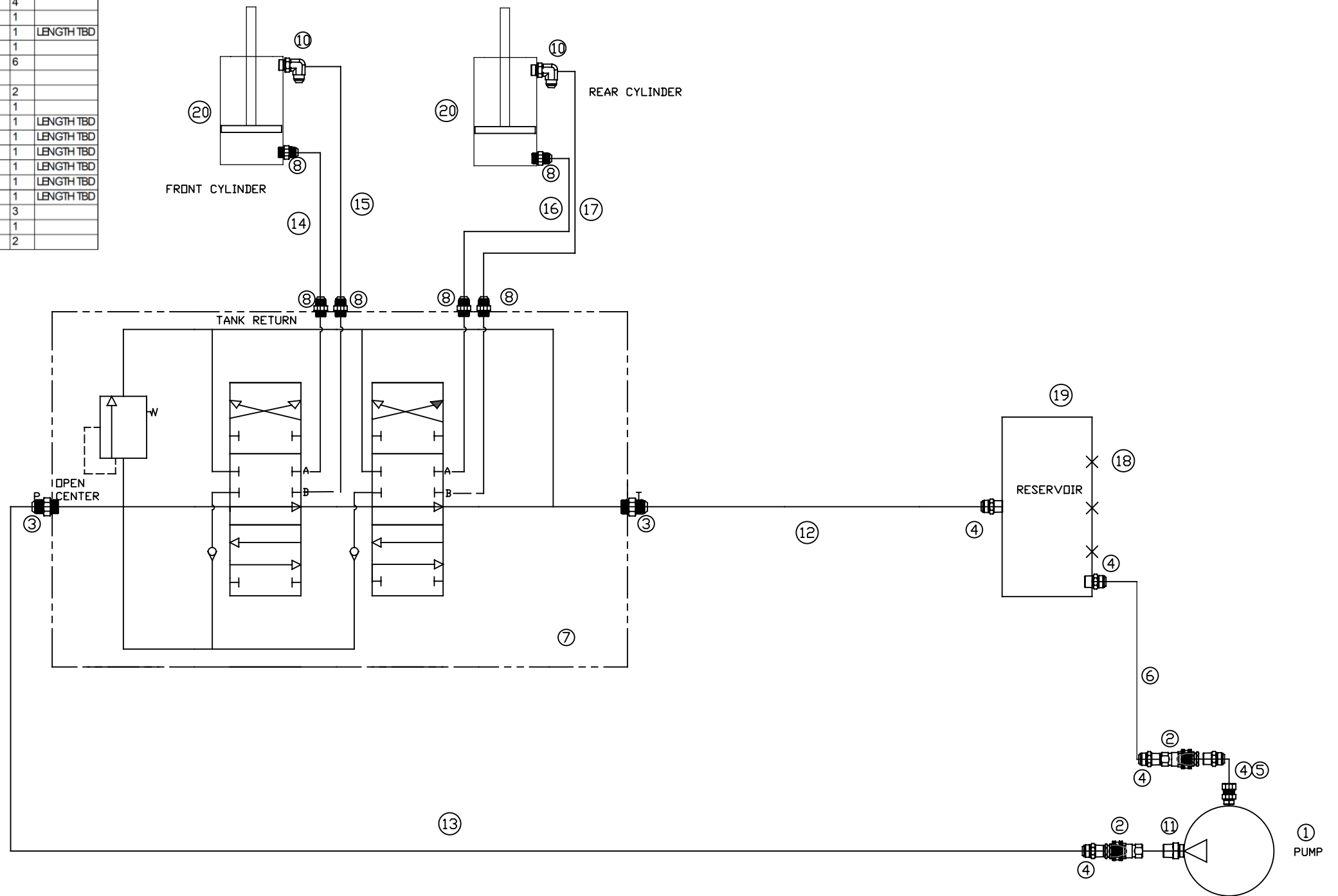
CAUTION

**PLEASE CONTACT CURRY
SUPPLY COMPANY BEFORE
ATTEMPTING ANY CHANGES TO
THE ELECTRICAL SYSTEMS.
DOING SO MAY CAUSE
EQUIPMENT DAMAGE OR VOID
WARRANTY.**

Table of Contents

2394-20000 Water Tower Hydraulics 12K	3
2394-21000 Water Tower Plumbing 12K	4

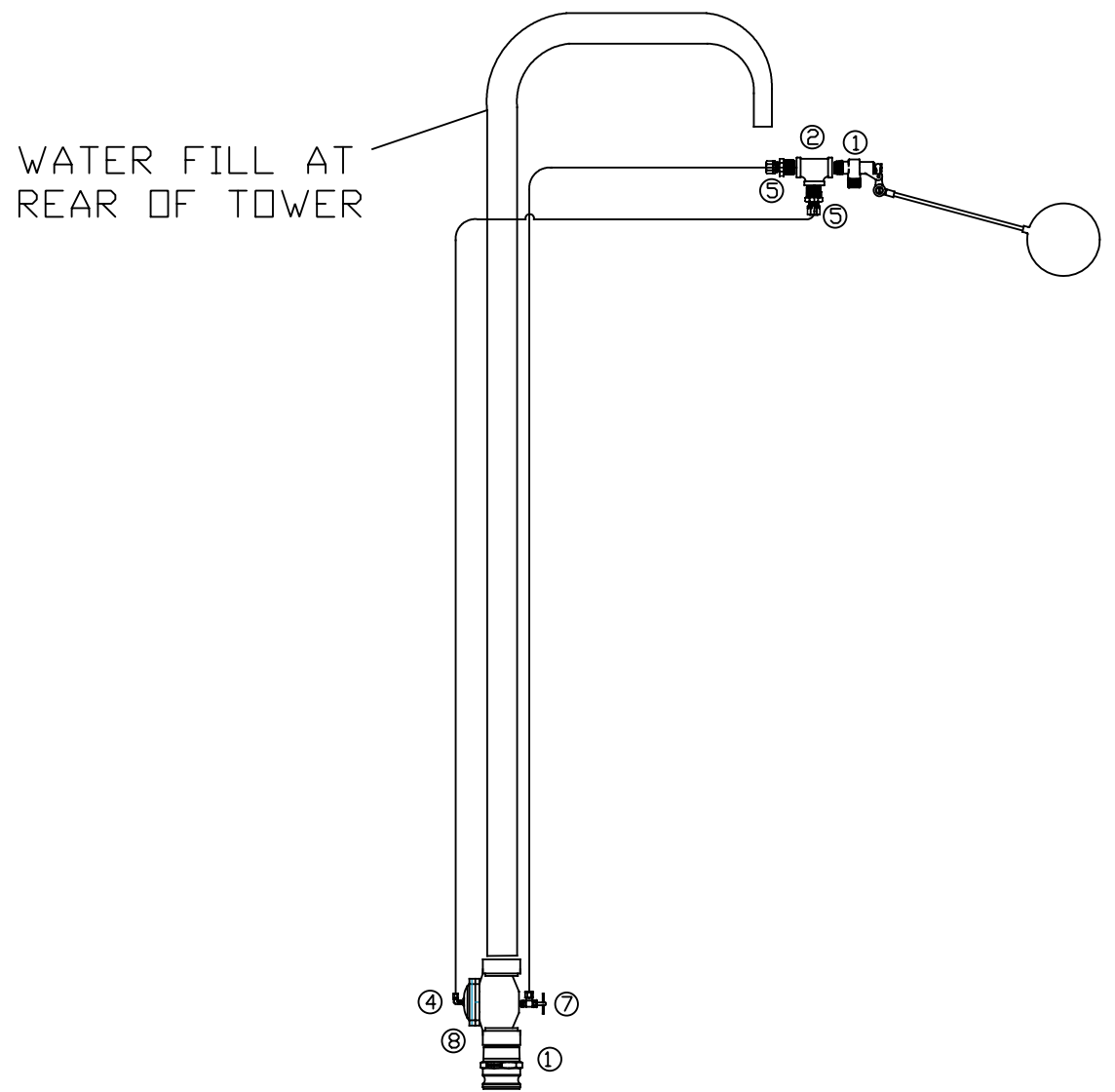
ITEM	PART NUMBER	DESCRIPTION	QTY	NOTES
1	TBD	GASMOTOR- HYD PUMP	1	
2	AG1-N16	QUICK DISCONNECT	2	
3	6400-16-10	10MB-16MJ	4	
4	2404-16-16	16MP-16MJ	4	
5	6400-16-16	16MB-16FJ	1	
6	HOSE	16FJ-16FJ- R1 HOSE	1	LENGTH TBD
7	P402-2A1	MONOBLOCK HYDRAULIC DIRECTIONAL CONTROL VALVE, 2 SPOOL, 11 GPM, SAE PORTS	1	
8	6400-8-8	8MB-8MJ	6	
9				
10	6801-8-8	8MB-8MJ90	2	
11	6401-12-16	12MB-16MP	1	
12	HOSE	16FJ-16FJ- R1 HOSE	1	LENGTH TBD
13	HOSE	16FJ-16FJ- R2 HOSE	1	LENGTH TBD
14	HOSE	8FJ-8FJ- R2 HOSE	1	LENGTH TBD
15	HOSE	8FJ-8FJ- R2 HOSE	1	LENGTH TBD
16	HOSE	8FJ-8FJ- R2 HOSE	1	LENGTH TBD
17	HOSE	8FJ-8FJ- R2 HOSE	1	LENGTH TBD
18	P562410	SIGHT GLASS, 1/2" NPT (3	
19	P562624	BAYONET STYLE FILLER BASKET/ FLANGE KITS	1	
20	CYLINDER	132" CYLINDER	2	



PROPRIETARY AND CONFIDENTIAL
 THE INFORMATION CONTAINED IN THIS DRAWING IS THE SOLE PROPERTY OF CURRY SUPPLY COMPANY. ANY REPRODUCTION IN PART OR AS A WHOLE WITHOUT THE WRITTEN PERMISSION OF CURRY SUPPLY COMPANY IS PROHIBITED.

JOB NUMBER		UNLESS OTHERWISE SPECIFIED	NAME	DATE	Curry Supply Co. TITLE: HYDRAULICS, 12K WATER TOWER
DRAWING NO.		DIMENSIONS ARE IN INCHES TOLERANCES: FRACTIONAL ±1/8"	MODEL BY:	EE 2/12/2025	
QUANTITY		ANGULAR: MACH ± BEND ±1 TWO PLACE DECIMAL ±.01 THREE PLACE DECIMAL ±.005	DRAWN BY:		
CUSTOMER		INTERPRET GEOMETRIC TOLERANCING PER:	ENG APPR.		
DESIGN STATUS		MATERIAL	MFG APPR.		
THICKNESS		Process	Q.A.		SIZE PART NO. REV
UNITS		DO NOT SCALE DRAWING	COMMENTS:		B 2394-20000 0
APPLICATION					SCALE: 1:1 WEIGHT: SHEET 1 OF 1

ITEM	PARTNUMBER	DESCRIPTION	QTY	NOTES
1	300-F-AL	3" MALECAM / 3" MALENPT	1	
2	4661K61	Brass Float Valve, Elbow Body, 3/8 NPT Male	1	
3	4429K251	Low-Pressure Brass Threaded Pipe Fitting, Tee Connector, 3/8 NPT Female	1	
4	7473T55	Compression Fitting for Copper Tube, 90 Degree Elbow Adapter for 1/4" Tube x 1/8 NPT Male	1	
5	5220K66	Compression Fitting for Copper Tubing, Straight Adapter for 1/4" Tube OD x 3/8 NPT Male	2	
6	TUBING	1/4 DOT AIRLINE	20	LENGTH TBD
7	5049K1	PRECISION FLOW- ADJUSTMENT VALVE	1	
8	171-300AL	3" Threaded Inline Valve (Aluminum)	1	



WATER FILL AT REAR OF TOWER

PROPRIETARY AND CONFIDENTIAL
 THE INFORMATION CONTAINED IN THIS DRAWING IS THE SOLE PROPERTY OF CURRY SUPPLY COMPANY. ANY REPRODUCTION IN PART OR AS A WHOLE WITHOUT THE WRITTEN PERMISSION OF CURRY SUPPLY COMPANY IS PROHIBITED.

JOB NUMBER		UNLESS OTHERWISE SPECIFIED	NAME	DATE	Curry Supply Co.
DRAWING NO.		DIMENSIONS ARE IN INCHES FRACTIONAL ±1/8" ANGULAR: MACH ± BEND ±1 TWO PLACE DECIMAL ±.01 THREE PLACE DECIMAL ±.005	MODEL BY:		
QUANTITY			DRAWN BY:	EE 2/12/2025	TITLE: WATER PLUMBING, 12K WATER TOWER
CUSTOMER			ENG APPR.		
DESIGN STATUS		INTERPRET GEOMETRIC TOLERANCING PER:	MFG APPR.		
THICKNESS		MATERIAL	Q.A.		
UNITS		Process	COMMENTS:		
APPLICATION		DO NOT SCALE DRAWING			
			SCALE: 1:1	WEIGHT:	SHEET 1 OF 1

SIZE PART NO. REV
 B 2394-21000 0